

Base Station UHF

UHF 800 - 1000 MHz Corner Reflector

Model CR800-8

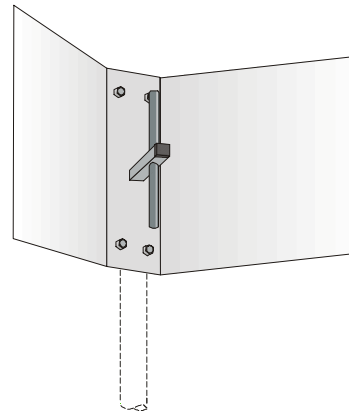
This corner reflector is designed for use in the 800-1000 MHz bands for cellular, trunking, data and STL services.

A medium gain antenna for point to point or sector communications. It is designed as a rugged unit which maintains its characteristics under all weather conditions. It is constructed with an anodised aluminium sheet reflector with the element housed in a UV protected radome to minimise the effects of precipitation static. The input connector is an N plug fitted to a 2m coaxial tail.

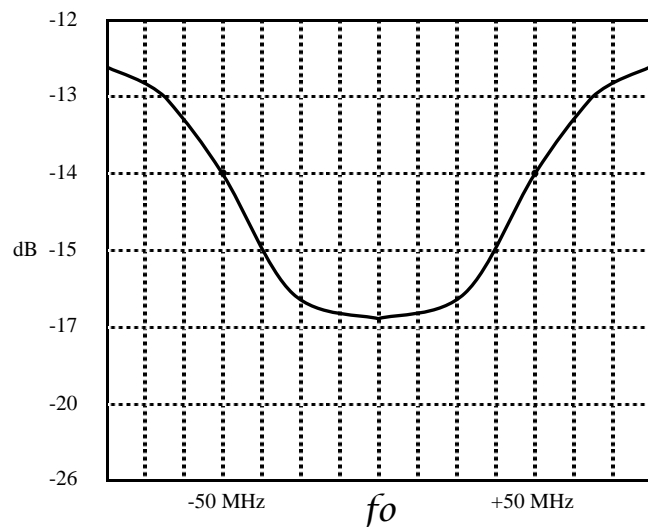
For mounting, two cast aluminium clamps are provided to suit 48mm OD tube. Clamps to mount to 38mm OD tube are available as an option.

Specification:

MODEL	CR800-8
Frequency Range (MHz)	800-1000
Bandwidth (MHz)	100
Gain (dBd)	8
Half Power Beamwidth E Plane (Deg)	65
Half Power Beamwidth H Plane (Deg)	48
Front to Back Ratio (dB)	25
Input Impedance (Ohms)	50
Return Loss (dB & VSWR)	<-14dB 1.5:1
Maximum Power (W)	50
Cable Type & Length	RG58 low loss, 2 Metres
Connector Type	N Plug
Panel Size (mm)	300 x 600
Projected Area (m ²)	0.124
Weight (kg)	3.5



CR800-8



Typical Return Loss - CR800-8