

Aerial Base Fitting

VHFB & MVHFB Fitting Instructions

We suggest the following method to install the Aerial Base which will firmly clamp the coaxial cable inside the mounting block, and also stops any ingress of moisture.

Prepare the cable as shown.

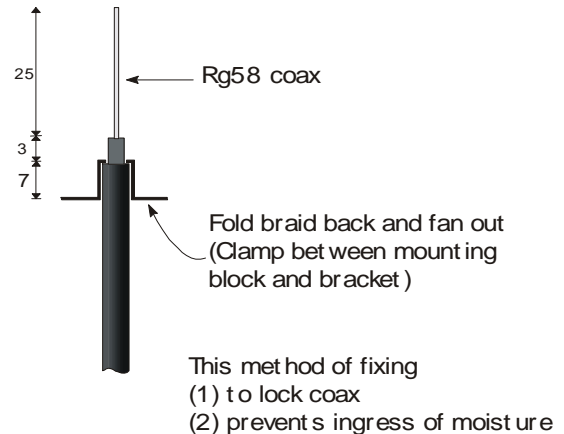
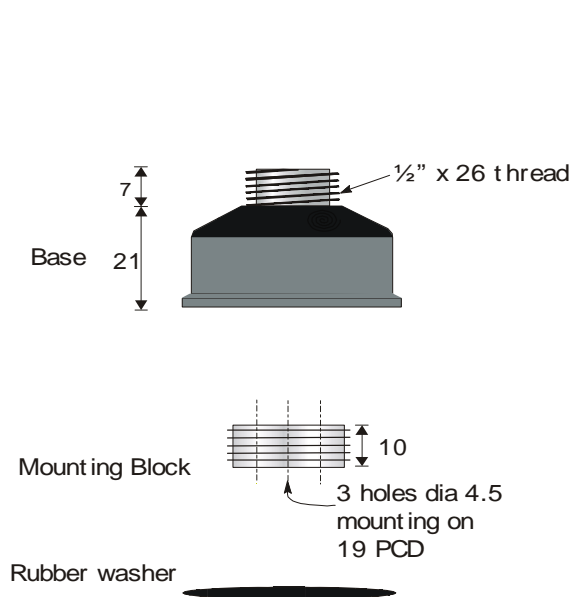
Insert the cable up into the mounting block from the bottom. Push the cable firmly into the block until the braid is just below the top. Fan the braid out under the block.

Fit the block to the vehicle or a bracket.

Fit the rubber gasket.

Screw the nylon base on firmly.

Solder the coax inner to the brass centre with a large hot soldering iron (100 watts plus) and ensure the connection is clean to assist solder flow.



Mounting Screws
5/32" x 5/8" lg counter sunk
or
PK 8g x 5/8 Zinc Pozi Steel